

Receiver

From

Company
Reference
Address
Phone
Fax
E-mail

Item no. Customer pos. no.:

60147200

Model:

ESYBOX

Pump data

Pressure rating : 0,8 MPa
SETTABLE CONSTANT PRESSURE FROM 0,1 TO 0,6 MPa
Min. fluid temperature : 0 °C
Max. fluid temperature : 40 °C
Max. Temperature operating : 50 °C

Requested data

Flow :
Head :
Fluid : Water
Fluid Temperature : 20 °C
Density : 998,3 kg/m³
Kinematische viscositeit : 1,005 mm²/s
Dampsparing : 0,00234 MPa

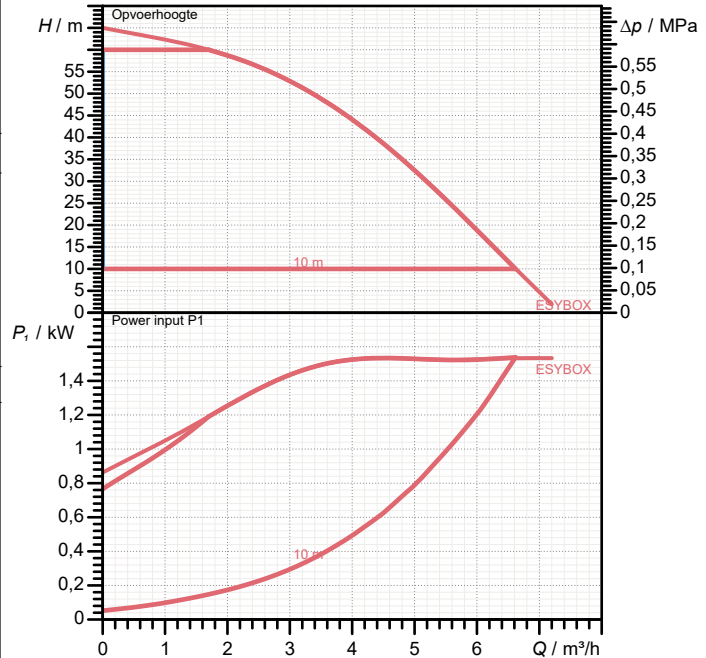
Materials

Motor flange	Technopolymer
Rotor shaft	Stainless Steel AISI 303
Motor liner	Stainless Steel AISI 304
O-Ring	NBR
Mechanical seal	Impregnated carbon-resin/Silicon carbide/EPDM
Plugs	Technopolymer
Suction case	Technopolymer
Insert	Brass nickel coated
Shutter	Technopolymer
Spring	AISI 303
Diffuser	Technopolymer
Diffuser body	Technopolymer
Impeller	Technopolymer
Wear ring	Stainless Steel AISI 316
Nut	Stainless Steel AISI 316
Diffuser plug	Technopolymer
Sintered plate	Stainless Steel AISI 304
Pump body	Technopolymer
Discharge section	Technopolymer
Flow switch body	Technopolymer
Discharge manifold	Technopolymer
Non-return valve	Technopolymer/Rubber/Steel
Tank	Technopolymer/Rubber
Pressure sensor body	Technopolymer

Motor data

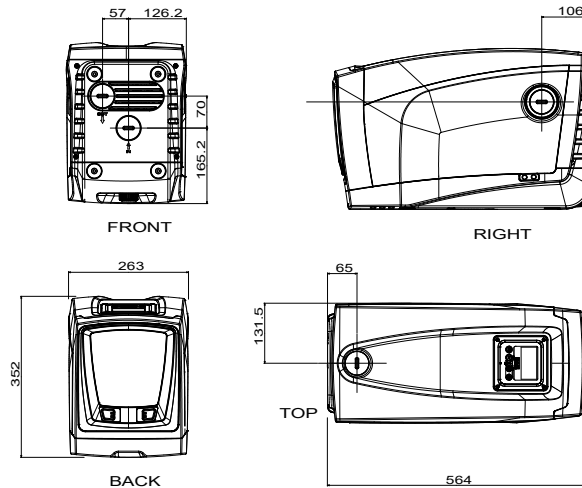
Power input P1 1,55 kW
Rated speed: 3.000 1/min
Rated voltage : 1~ 220-240 V 50 Hz
Nominal current : 10 A
Degree of protection : IP X4

Curve tolerance according to ISO 9906



Hydraulic data (duty point)

Flow :
Head :



Dimension mm

--	--	--	--	--	--	--	--

Gewicht: 27 kg

Pump connection

Suction side 1" G / 0,8 MPa
Discharge side 1" G / 0,8 MPa



PERFORMANCE CURVES

2023-07-1€

Pagina 2 / 3

DAB PUMPS S.p.A.
Via Marco Polo, 14 - 35035 Mestrino (PD), Italy
Tel. +39 049 5125000 - Fax +39 049 5125950
www.dabpumps.com

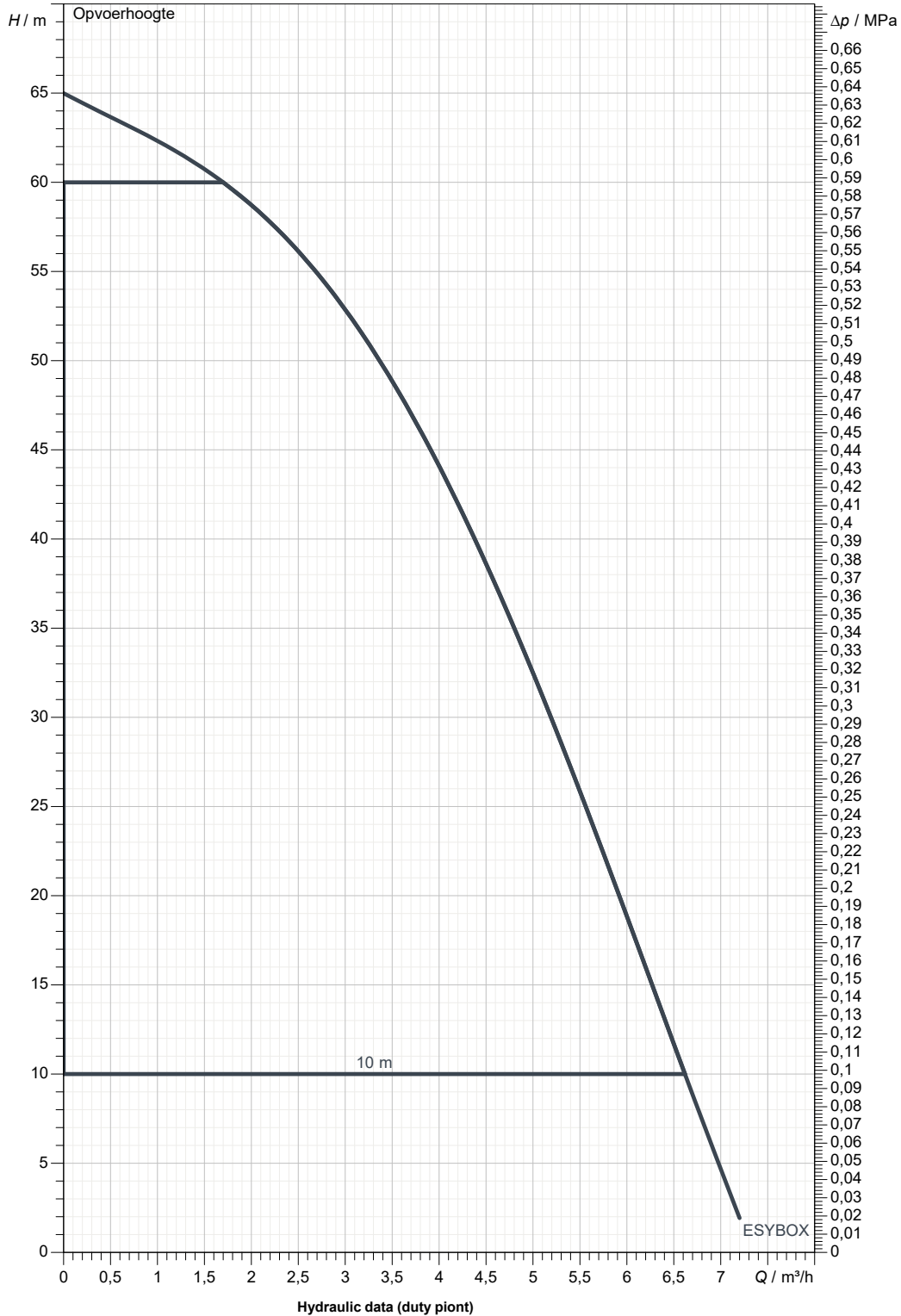
Receiver

From

Company
Reference
Address
Phone
Fax
E-mail

ESYBOX

Curve tolerance according to ISO 9906



Suction side 1" G 0,8 MPa	Discharge side 1" G 0,8 MPa	Flow :	Head :	Rated speed: 3.000 1/min
MAIN_PROJECT_TITLE	BUSINESS_PROCESS_ID	OWNER_	ISSUE_DATE 2023-07-19	



DIMENSIONAL DRAWING

DAB PUMPS S.p.A.
Via Marco Polo, 14 - 35035 Mestrino (PD), Italy
Tel. +39 049 5125000 - Fax +39 049 5125950
www.dabpumps.com

2023-07-1€

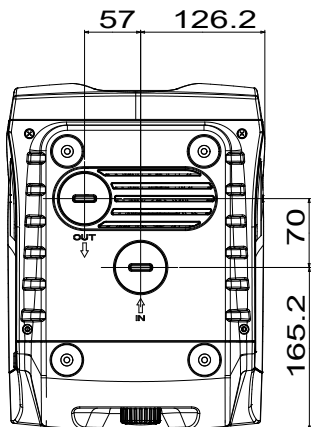
Pagina 3 / 3

Receiver

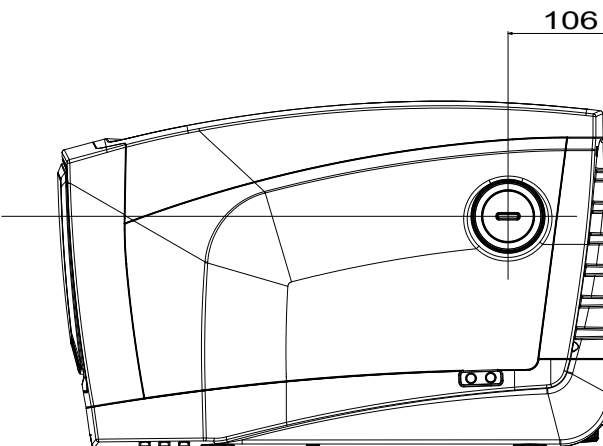
From

Company
Reference
Address
Phone
Fax
E-mail

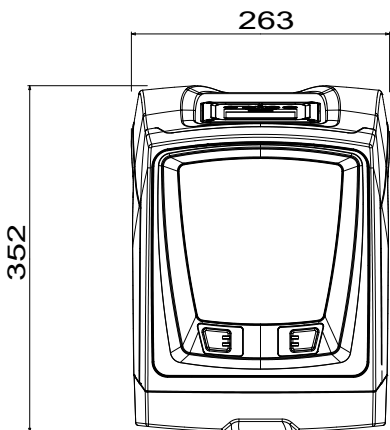
ESYBOX



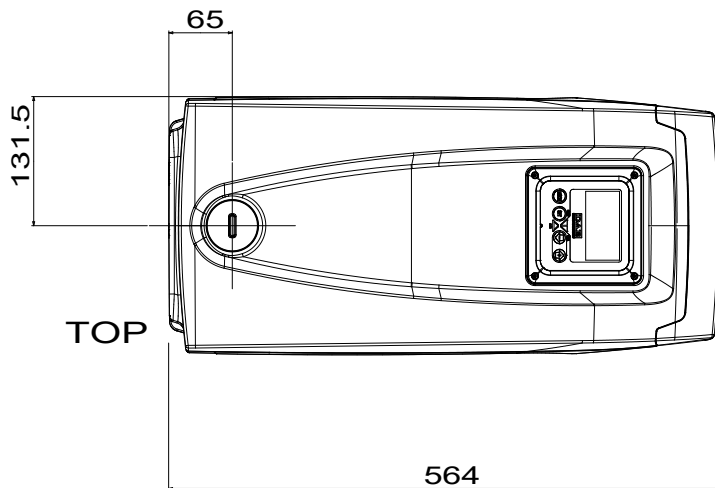
FRONT



RIGHT



BACK



TOP

Dimensions in mm						Pump connection
1						Suction
2						1" G
3						0,8 MPa
4						Discharge
5						1" G
6						0,8 MPa
7						
8						
9						
10						
11						
12						
MAIN_PROJECT_TITLE			BUSINESS_PROCESS_ID		OWNER_	ISSUE_DATE 2023-07-19