

Receiver

From

Company
Reference
Address
Phone
Fax
E-mail

Item no. 60185583
Customer pos. no.:

Model:
GENIX VT 030

Pump data

Min. fluid temperature : 0 °C
Max. fluid temperature : 75 °C
Max. Temperature operating : 25 °C
Min. Temperature operating : 5 °C
Max Flow : 6,9 m³/h
Max. Head : 8 m
Max. Head (EN12050-3) : 6 m

Requested data

Flow :
Head :
Fluid : Water
Fluid Temperature : 20 °C
Density: 998,3 kg/m³
Kinematische viscositeit: 1,005 mm²/s
Dampspanning: 0,00234 MPa

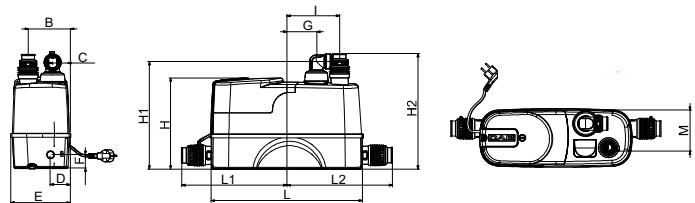
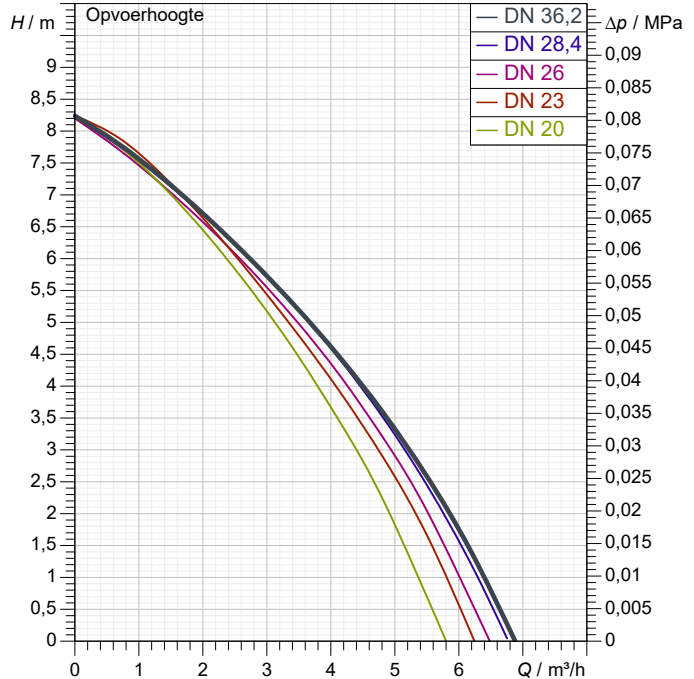
Hydraulic data (duty point)

Flow :
Head :

Materials

Tank Polypropylene 30% Barium
Shaft Stainless steel
Kopstuk Stainless steel
O-Ring NBR
Impeller Polypropylene 30% fiber glass

Curve tolerance according to ISO 9906



Motor data

Merk : DAB
Nominal power P2: 0,32 kW
Rated speed: 2.900 1/min
Rated voltage : 1~ 230 V 50 Hz
Nominal current : 2,5 A
Degree of protection : IP 44

Gewicht: 10,3 kg

Dimension mm

A	183	G	80	L1	322		
B	125	H	277	L2	307		
C	56	H1	322	M	125		
D	60	H2	346	N	-		
E	178	I	150				
F	42	L	456				

Pump connection

DN 22/25/28/32/36/40



PERFORMANCE CURVES

2023-08-24

Pagina 2 / 3

DAB PUMPS S.p.A.
Via Marco Polo, 14 - 35035 Mestrino (PD), Italy
Tel. +39 049 5125000 - Fax +39 049 5125950
www.dabpumps.com

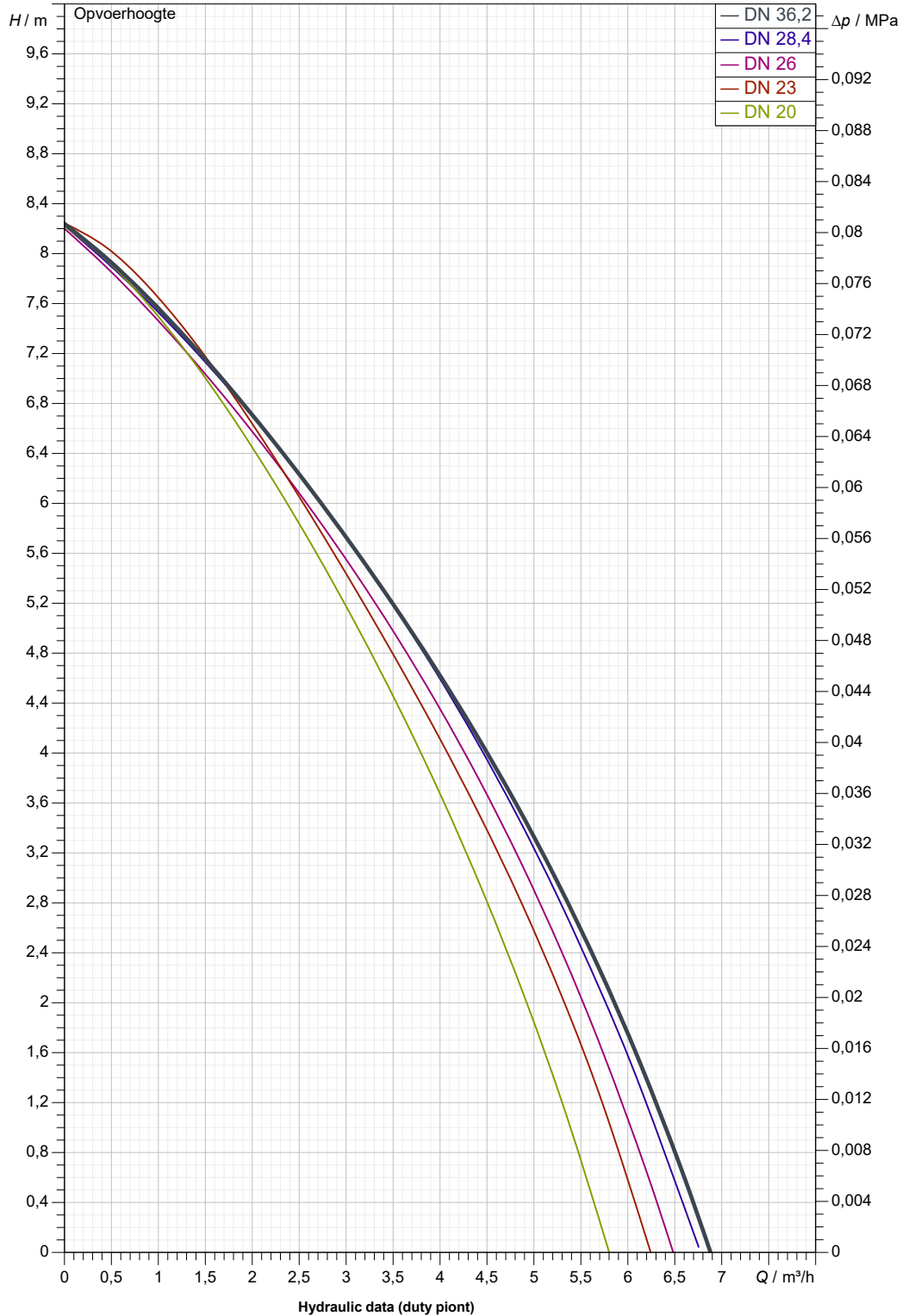
Receiver

From

Company
Reference
Address
Phone
Fax
E-mail

GENIX VT 030

Curve tolerance according to ISO 9906



Suction side	Discharge side	Flow :	Head :	Rated speed: 2.900 1/min
MAIN_PROJECT_TITLE	BUSINESS_PROCESS_ID	OWNER_	ISSUE_DATE 2023-08-24	



DIMENSIONAL DRAWING

2023-08-24

Pagina 3 / 3

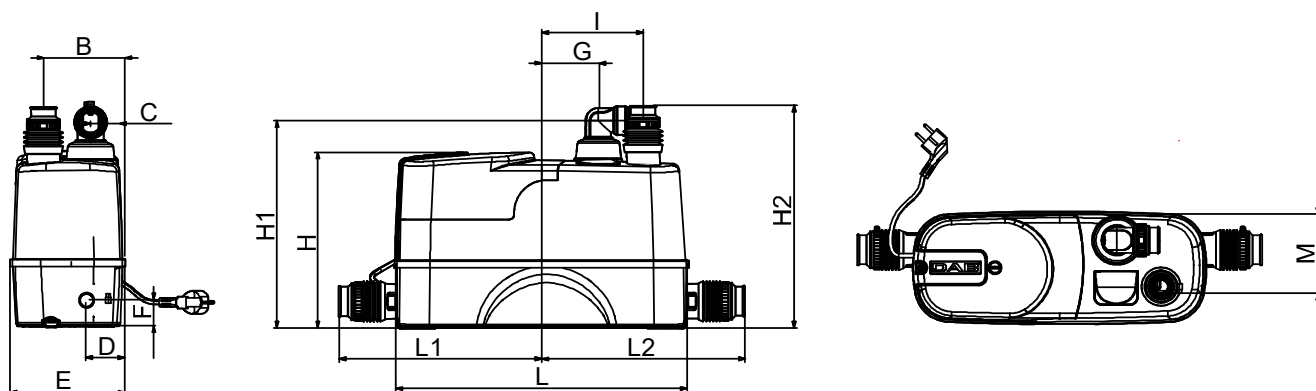
DAB PUMPS S.p.A.
Via Marco Polo, 14 - 35035 Mestrino (PD), Italy
Tel. +39 049 5125000 - Fax +39 049 5125950
www.dabpumps.com

Receiver

From

Company
Reference
Address
Phone
Fax
E-mail

GENIX VT 030



Dimensions in mm

Pump connection

1	A	183	L	456	Suction	
2	B	125	L1	322		
3	C	56	L2	307		
4	D	60	M	125		
5	E	178	N	-		
6	F	42				
7	G	80				
8	H	277				Discharge
9	H1	322				
10	H2	346				
11	I	150				

MAIN_PROJECT_TITLE

BUSINESS_PROCESS_ID

OWNER_

ISSUE_DATE

2023-08-24